

"IT'S NEW"

From Schweiss: the Leader in the Bifold and Hydraulic Door World

STRAP LATCH

AUTOMATIC LATCH SYSTEM



*NEW Latch Strap Design
Patent Pending*

- **NO Cables**
- **NO Clamps**
- **NO Pulleys**
- **Simple Design**

NOW

**AN ALL-STRAP
DOOR**

ONLY FROM

SCHWEISS

SCHWEISSDOORS.com

NEW INNOVATION

ADVANTAGES OF THE AUTOMATIC STRAP LATCHES

This is what every door owner wants and needs. Unlike other latch mechanisms, the new design will firmly hold the door against your building in all positions; securing the door when open/partially open and will firmly lock the door when closed. It will offer added protection from wind gusts while the door is in any position during operation.



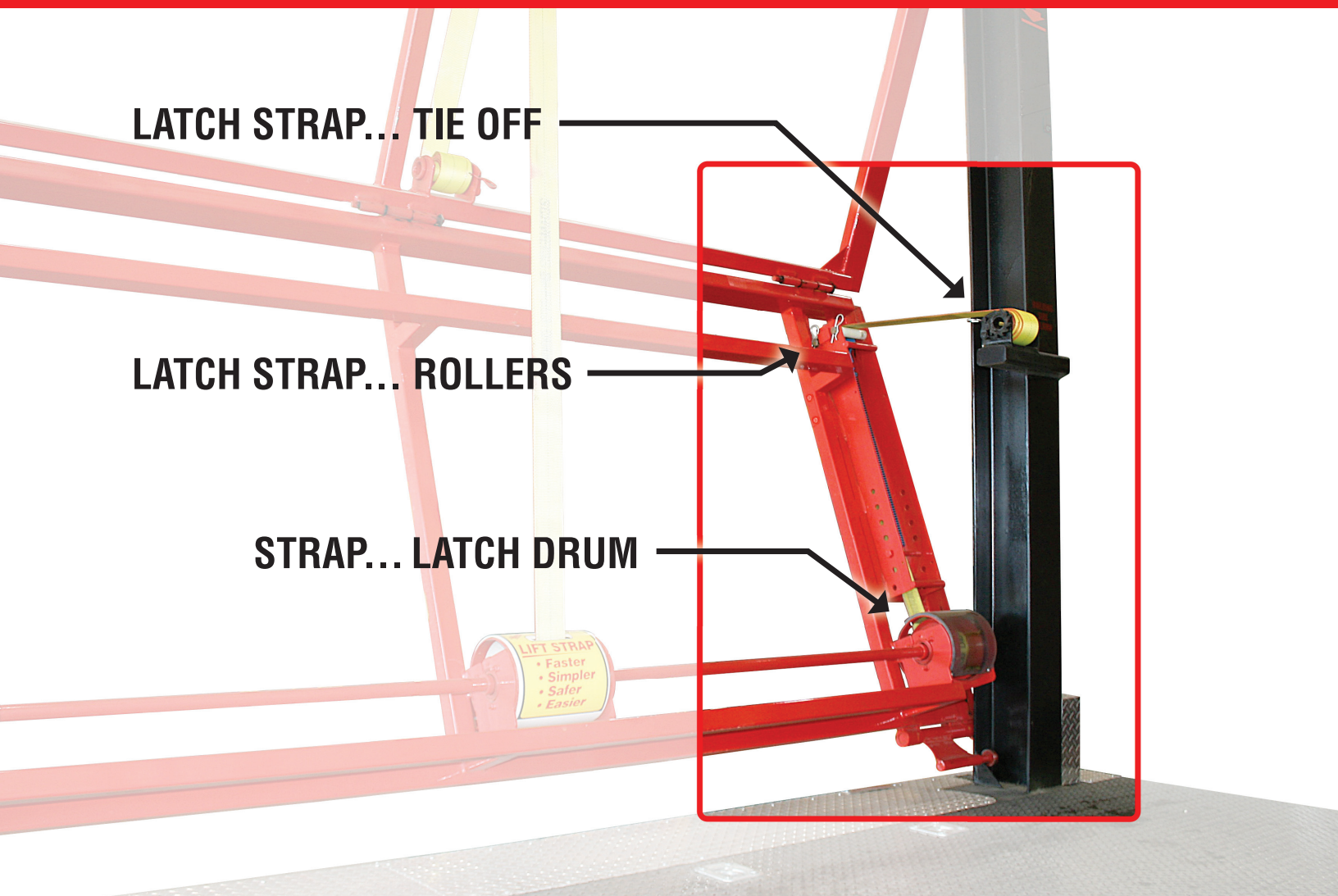
NOW AN ALL-STRAP BIFOLD DOOR

Schweiss Doors is introducing an all-strap bifold door! **Straps do the lifting and now straps do the latching too!** It doesn't get any better than an all-strap door. The simplicity of the new latch strap is truly amazing! Schweiss did away with all the cables, chains, sprockets and pulleys; and it now has 90 percent less moving parts. This is a real game changer in the bifold door world! It doesn't get any better than an all-strap door.

THE STRAPS DO ALL THE LATCHING

- Straps secure the door in the open position
- Straps secure the door in the closed position
- Adds protection from wind gusts while in operation
- Latch Straps are rated for 29,000 pounds

***“ The concept is so simple...
I can’t believe we haven’t
thought of this before! ”***



INTRODUCING THE FIRST, AND ONLY, ALL-STRAP BIFOLD DOOR

Just when Schweiss Doors thought it had the best automatic latch on the market, the Schweiss design team did itself one better. This “new,” totally functional and simple strap latch system gives you an all-strap bifold door, making it by far the best auto latch system on the market!

SCHWEISS



Style 1

NEW LATCH STRAP

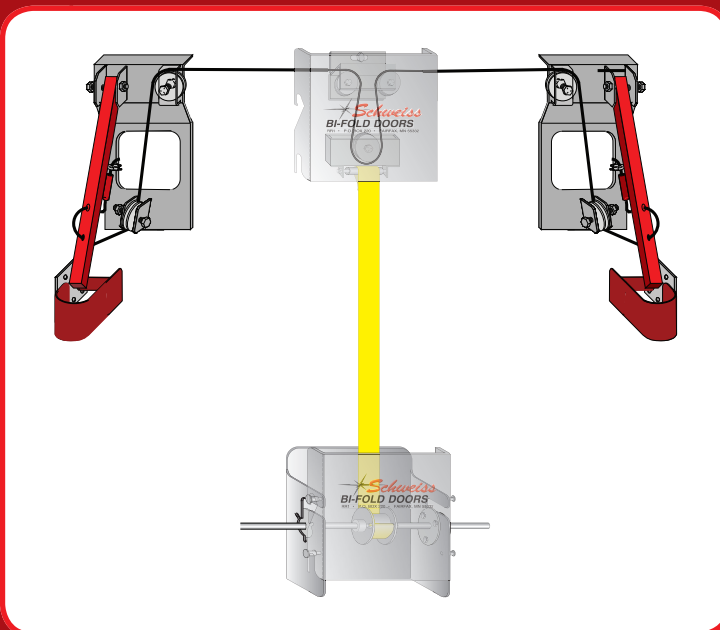
- NO Cables
- NO Clamps
- NO Pulleys
- NO Chains
- NO Widgets

**THE STRAPS DO ALL
THE LATCHING!**

JUST PLAIN SIMPLE!

CUSTOMER PRAISES THE NEW STRAP LATCH SYSTEM

“The thought process and mechanical aptitude to create the strap autolatch and lift strap system is quite ingenious. It’s hard to say just one thing I like about my Schweiss door. I like the engineering, the quality and the operation of the door. The way it lifts up and down nicely and seals well... you guys did an excellent job on this new strap latch design!”



Style 2

STANDARD AUTO LATCH

- Two Latch Arms
- Center Pulley Assembly
- Bottom Latch Drum

PROVEN DESIGN

SCHWEISS OFFERS 2 STYLES OF LATCHES... THE CHOICE IS YOURS!

507-426-8273

SCHWEISS